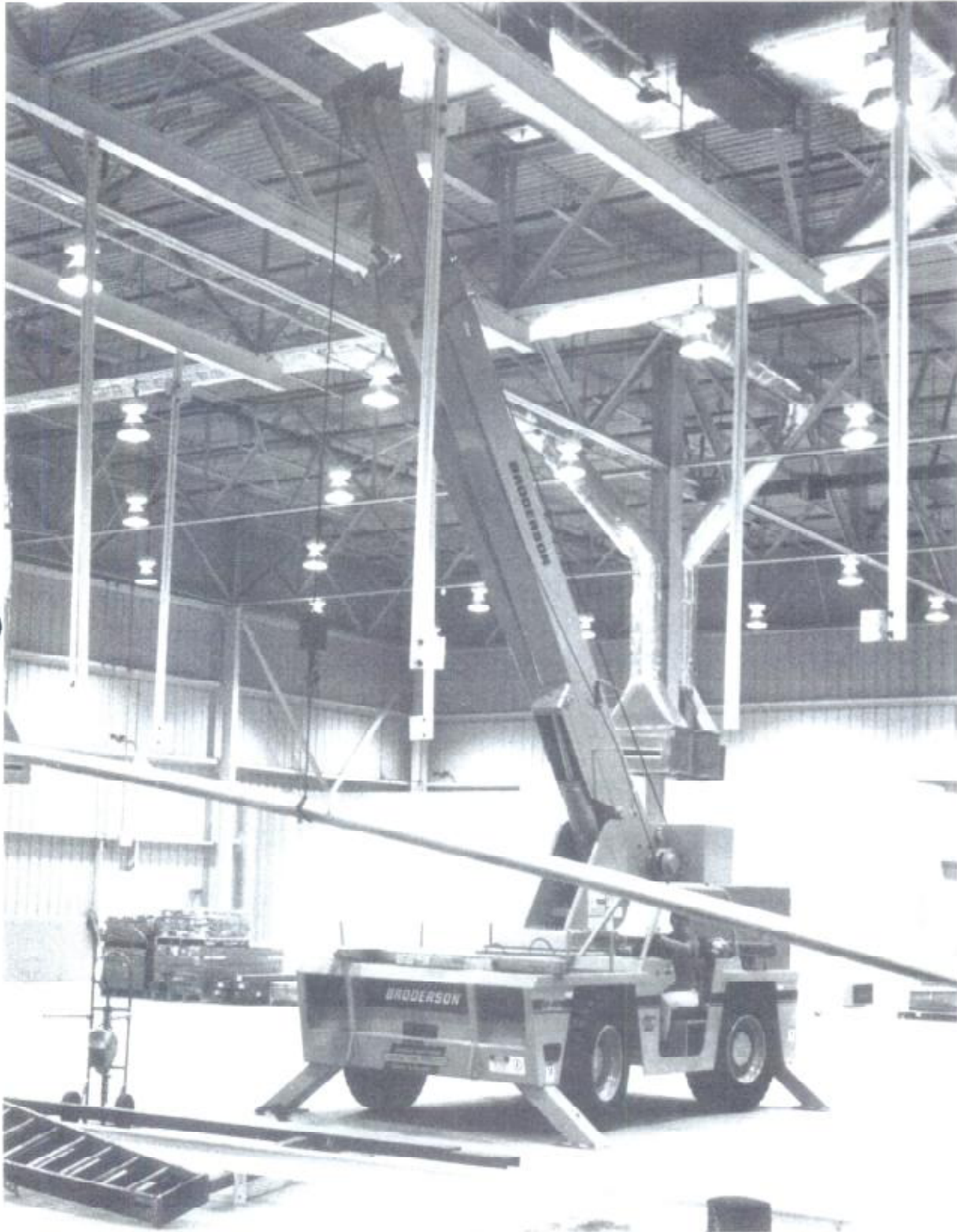


TECH
SPEC

IC-200-C



BMC[®] BRODERSON[®]
Manufacturing Corp.

P.O. Box 14770, Lenexa, KS 66245-4770
(913) 888-0606 • FAX (913) 541-0690

IC-200-1C

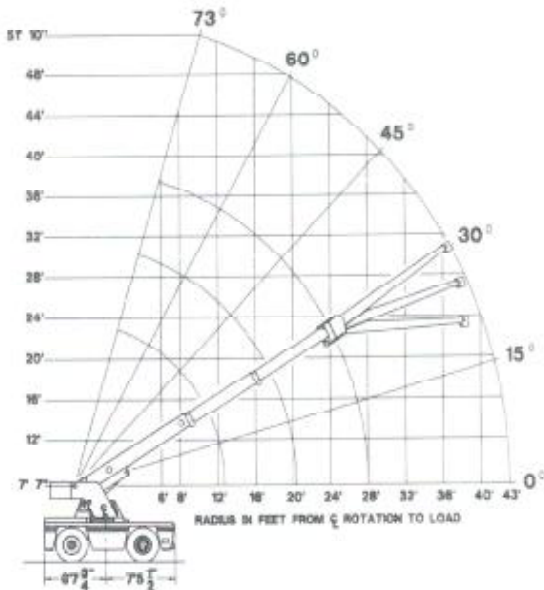
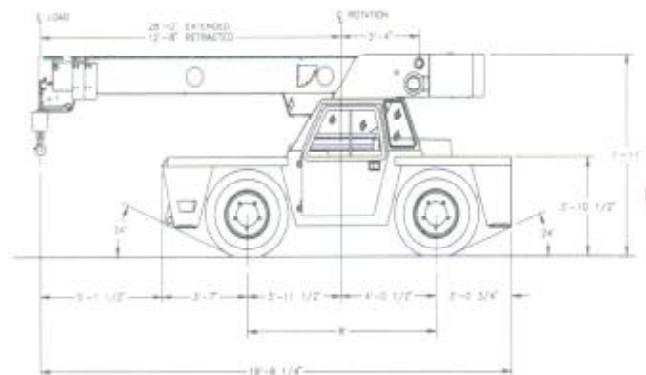
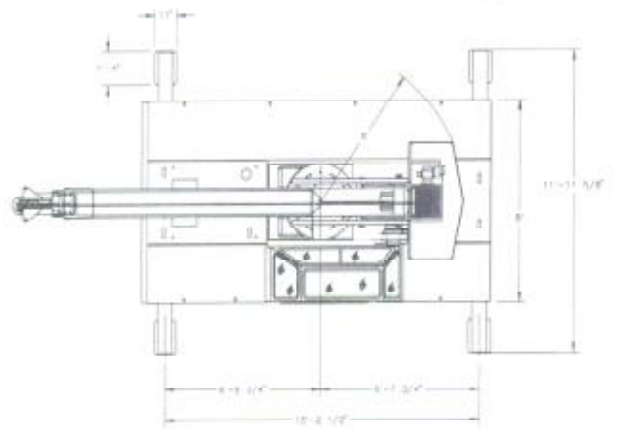
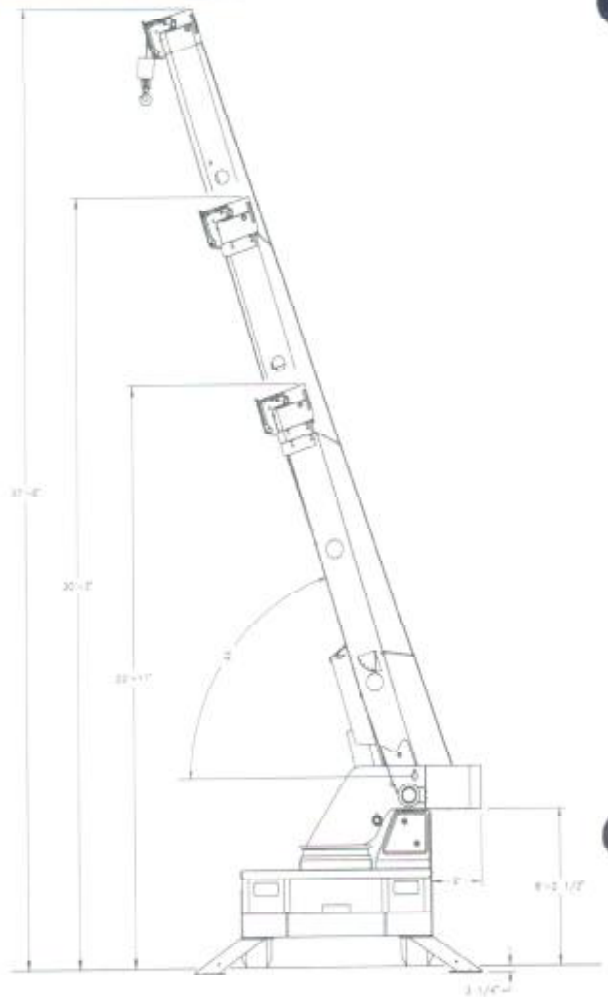
CAPACITIES APPLY TO OPERATIONS ON FIRM LEVEL SURFACE							
MAIN BOOM OR EXTENSION CAPACITIES IN POUNDS							
LOAD RADIUS FEET	360 DEGREE ROTATION		OVER FRONT				
	ON RUBBER	ON OUTRIGGER	ON RUBBER	ON OUTRIGGER			
MAIN BOOM	6	16500	30000	16500	30000		
	8	13500	24000	13500	24000		
	10	11000	20000	11300	20000		
	12	8200	16400	8700	16400		
	14	6400	12700	7500	12700		
	16	5200	11200	6300	11200		
	18	4300	9900	5200	9900		
	20	3600	8900	4400	8900		
	22	3100	7950	3800	8100		
	24	2750	6950	3300	7400		
15' BOOM EXT.	26	2400	6150	3000	6700		
	28	2150	5500	2600	6200		
	30	2000	4300	2500	4300		
	32	1800	3950	2250	3950		
	36	1400	3450	1800	3450		
	40	1000	3100	1400	3200		
	43	700	2900	1200	3100		
	15- FOOT BOOM EXTENSION - STRAIGHT OR OFFSET						
	MAIN BOOM ANGLE						
	BOOM EXT. ANGLE	0°	15°	30°	40°	50°	60°
10°	---	3100	3450	3900	4650	6000	7500
15°	---	3000	3100	3300	3650	4250	5200
30°	---	---	3000	3050	3200	3450	3900

* Use 0° for straight boom extension.

Boom extension loads must not exceed main boom capacity.

Capacities below bold line are limited by tipping. Other capacities are limited by structural or hydraulic capability.

Boom extension deduct: 400 pounds when stowed on base boom; 800 pounds in work position with load on the main boom.



IC-200-2C

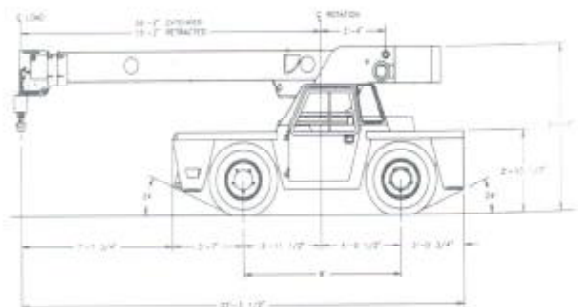
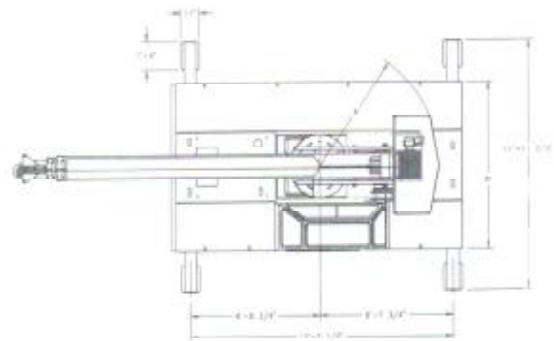
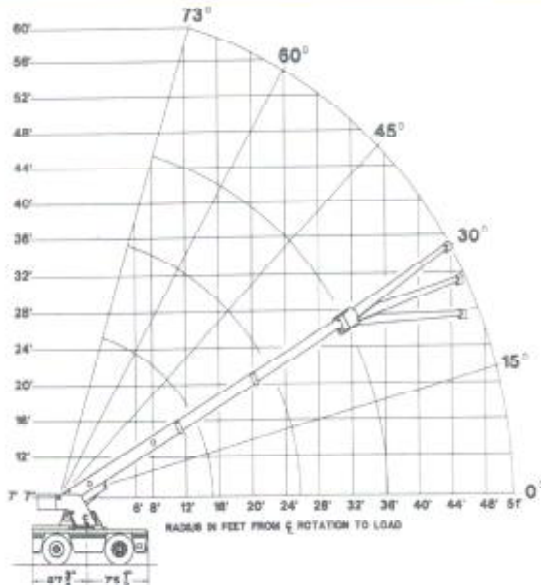
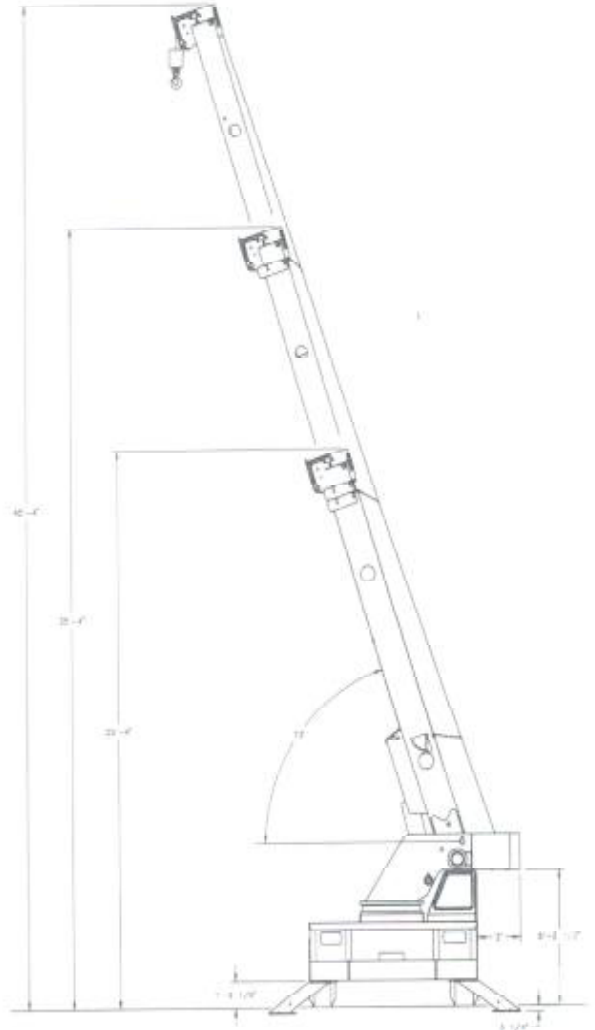
CAPACITIES APPLY TO OPERATIONS ON FIRM LEVEL SURFACE							
LOAD RADIUS FEET	MAIN BOOM OR EXTENSION CAPACITIES IN POUNDS						
	360 DEGREE ROTATION		OVER FRONT				
	ON RUBBER	ON OUTRIGGER	ON RUBBER	ON OUTRIGGER			
M A I N B O O M	6	16200	30000	16200	30000		
	8	13200	24000	13200	24000		
	10	11000	19800	11000	19800		
	12	8100	16100	8250	16100		
	14	6250	13500	7100	13500		
	16	5000	11200	6000	11200		
	18	4100	10000	4950	10000		
	20	3400	8800	4100	8800		
	22	2850	7700	3450	7800		
	24	2400	6600	2900	6900		
	26	2100	5750	2500	6200		
	28	1850	5150	2200	5700		
	30	1650	4650	1950	5300		
	32	1450	4200	1700	4900		
	36	1150	3400	1400	4200		
15' BOOM EXT.	40	900	3050	1200	3600		
	44	650	2600	950	3100		
	48	450	2200	750	2700		
	51	250	1900	600	2400		
	BOOM EXT.	15-FOOT BOOM EXTENSION - STRAIGHT OR OFFSET					
ANGLE	MAIN BOOM ANGLE						
	0°	15°	30°	40°	50°	60°	70°
10"	---	3100	3450	3900	4650	6000	7500
15"	---	3000	3100	3300	3650	4250	5200
30"	---	---	3000	3050	3200	3450	3900

* Use 0" for straight boom extension.

Boom extension loads must not exceed main boom capacity.

Capacities below bold line are limited by tipping. Other capacities are limited by structural or hydraulic capability.

Boom extension deduct: 400 pounds when stowed on base boom; 800 pounds in work position with load on the main boom.



GENERAL:

Weight:		
IC-200-1C	27,200 lbs.	
IC-200-2C	27,640 lbs.	
Gradeability:	75%	
Turning Radius:	12' 8"	
Boom Movement:	IC-200-1C	IC-200-2C
Rotation	Continuous	Continuous
Elevation	0° to 73°	0° to 73°
Extension	15' 4"	21' 0"
Boom Speeds:		
Rotation	1.7 RPM	1.7 RPM
Elevation	21 sec.	21 sec.
Extension	26 sec.	35 sec.

ENGINE:	Standard	Optional
Make	GM	Cummins
Model	4.3L V-6	4BT3.9
Type	Gasoline	Turbo-Diesel
No. Cyl.	6	4
Displacement	262 CID	239 CID
HP @ Gov. Speed	110 H.P.	110 H.P.
Fuel Tank Capacity	30 Gallons	

TRANSMISSION:

Powershift transmission with 4-speeds forward and reverse. Provides powershifts at any engine speed in any gear. All shifting is done with a single lever electrical control mounted on the steering column. Equipped with torque convertor and transmission oil cooler. Torque convertor has stall ratio of 2.2:1.

Gear Ratio:

First	5.72:1
Second	3.23:1
Third	1.77:1
Fourth	1.000:1

AXLES:

Front Axle:
Planetary drive/steer front axle with 15.78 to 1.0 ratio. Differential equipped with "limited slip" feature. Front axle mounted rigidly to frame.

Gear	Travel Speed	Drawbar Pull*
First	3 MPH	20,400*
Second	6 MPH	11,430*
Third	11 MPH	6,140*
Fourth	19 MPH	3,350*

*Drawbar pull is calculated for GM 4.3L engine

Rear Axle:

Standard (2-Wheel Drive):

Steering axle with 1-1/2 degree oscillation in either direction.

Optional (4-Wheel Drive):

Planetary drive/steer axle with 24.98 to 1.0 ratio. Differential is not "limited slip" in rear axle. 1-1/2 degree oscillation in either direction. Axle ratio compatible with 4-wheel drive transmission output for front axle match. Transmission equipped with electro-hydraulic control for shifting between 2-wheel drive and 4-wheel drive.

STEERING:

Full hydraulic steering unit with two 3-inch cylinders attached to each axle. Allows limited steering when engine is not running. A switch on the control panel is used to select rear-wheel steering or four-wheel steering.

BRAKES:

Service: Split-system, 4-wheel hydraulic-boosted multiple-plate wet disc brakes.

Parking: Hand lever actuated disc-type parking brake on transmission.

TIRES:

385/65R22.5, Load Range J radial, high-traction on/off road tread.

CHASSIS:

CARGO DECK:

78 square feet of deck area. 17,000 lbs. capacity on deck when load is centered over or between axles. Steps located on front corners.

OUTRIGGERS:

Four hydraulic outriggers of box beam construction with direct-connected holding valves. Independent controls for each outrigger. Outrigger pad dimension 11" x 16".

ACCESSORY STORAGE BOX:

Storage box is 14" deep x 10-1/2" long x 36-1/2" wide, located in front carry deck.

ELECTRICAL:

12 Volt System

Lighting Package:

One pair headlights with high and low beams, tail, brake and turn signal lights and back-up lights in rear, front turn signals and emergency flasher switch at operator's station.

Instrument Package:

Fuel, ammeter, oil pressure, water temperature, transmission oil temperature gauges. All gauges are lighted. Hourmeter records hours only during actual engine operation. Also included are warning lights for low transmission pressure, turn signals, high beams, hazard lights, park brake and four-wheel drive.

Back-Up Alarm:

Provides pulsating sound when transmission is in reverse.

HYDRAULIC SYSTEM:

Tandem pump, direct-driven by engine crankshaft, rated at 22 and 34 GPM at rated RPM. Hydraulic oil tank capacity of 34 gallons.

BOOM ASSEMBLY:

Three-section boom assembly equipped with bearing pads, double acting hydraulic cylinders with direct-connected holding valves and boom angle indicator on each side of boom.

Boom Rotation:

Heavy-duty ball bearing rotation gear with external teeth. Rotation is powered by hydraulic motor and worm gear drive.

Boom Hoist:

Turret mounted planetary gear hoist hydraulically powered with a bare drum line pull of 10,000 lbs. at a line speed of 110 FPM. Includes downhaul weight, swivel hook and sheave block for 4-part line and 225 ft. of 1/2" hoist rope.

Anti-Two-Block Device:

Prevents damage to hoist rope and/or crane components from pulling load hook against tip.

Listed below are brief descriptions of each option available for the IC-200-C Industrial Crane.
Consult the IC-200-C Engineering Spec for additional information on each option.

MODEL:

- **IC-200-1C** Industrial Crane with 12' 8"-28' 0" Boom
- **IC-200-2C** Industrial Crane with 15' 2"-36' 2" Boom

ENGINE OPTIONS:

- **LP Gas Fuel System**
Contains all necessary components for LP gas operations.
- **Dual Fuel System**
Contains all necessary components to burn LP gas and gasoline.
- **Diesel Engine**
Cummins Turbo-4BT3.9
- **Spark Arrester Muffler**
Installed in addition to std. muffler.
- **Catalytic Converter**
Reduces engine emissions.
- **Engine Heater**
Engine coolant heater installed to circulate warm water through engine, plugs into 120 volt AC.
- **Ether Injection System**
Ether starting aid controlled by switch in operator compartment and injects ether directly into intake manifold.
- **Engine Shut Down Gauges**
Shuts engine off when high water temperature or low engine oil pressure occurs.

TIRE OPTIONS:

- **Foam Filling of Tires**
- **Spare Tire & Wheel**

CHASSIS OPTIONS:

- **Auxiliary Winch**
Mounted behind front bumper, hydraulically driven with control in operator's console.
- **Pintle Hook:**
 - **Pintle Hook, Rear**
 - **Pintle Hook, Front**
- **Headlight and Taillight Grilles**
Welded steel protective grilles for headlights and taillights.
- **Rearview Mirrors**
One mounted on right-hand deck stake and 1 mounted on left-hand deck stake
- **Lifting Rings**
Lifting rings at each corner of carry deck so sling can be attached for lifting crane.

OPERATOR COMPARTMENT OPTIONS:

- **Operator Guard**
Tubular steel weldment with heavy expanded steel mesh top section.
- **Operator Guard Cover**
Clear vinyl cover over Operator Guard, for inclement weather operations.
- **Operator Guard Door**
Hinged door covers operator compartment side opening.
- **All Weather Cab**
Rigid-mounted canopy section and removable hinged door. Includes heater, electric windshield wiper, one sliding glass window in the door & one in the right side of canopy. Defroster fan & dome light included.
- **Cab Heater Only**
Heater with two-speed fan for units without All Weather Cab.
- **Windshield Washer**
Includes reservoir, pump and nozzle.
- **Floor Mat**
Vinyl mat with foam backing.
- **Operator Suspension Seat**
Provides additional operator comfort.
- **Noise Reduction Kit**
Includes floor mat, control valve cover and side panels of foam backed vinyl for noise reduction.
- **Air Conditioning**
Air Conditioner with R 134 coolant.

ELECTRICAL OPTIONS:

- **Outrigger Alarm System**
Two-tone alarm is activated when "outrigger down" controls are operated.
- **Strobe Lights**
Yellow strobe light mounted on each side of turret weight box.
- **Amber Rotating Beacons**
Amber rotating beacon mounted on each side of turret weight box.
- **Boom Work Lights**
One work light mounted to boom to light boom tip and one work light mounted to turret to light ground under boom tip.
- **Boom Work Lights and Beacons**
Boom work lights and amber rotating beacons installed.
- **Boom Work Lights and Strobes**
Boom work lights and strobe lights installed.

HYDRAULIC OPTIONS:

- **Boom Structural Protection System**
Important to understand fully the description of the Boom Structural Protection System described in the IC-200 Engineering Spec. This option is not intended to and will not replace an LMI.

BOOM ATTACHMENTS:

- **Boom Extension, 15 Ft.**
Boom stowable.
- **Boom Extension, 15 Ft., Offsettable (2C Only)**
Same as above except the boom extension is offsettable to 3 different positions: 0 degree (inline), 15 degree and 30 degree offset.
- **Sheave Block - Two-Part**
- **Searcher Hook:**
 - **Nose Mount**
 - **Link Under Boom**
- **Load Moment Indicator**
Warns operator of impending overload with audible and visual signals. Prevents overload by stopping boom functions that cause overloads. Readouts for load, boom angle, boom length and load radius.
- **Load Indicator**
Includes 3-sheave load sensor on top of boom and readout box on top of instrument panel.

Should you, as an end user, require an option or special equipment on your IC-200-C that is not listed on our sales literature, please contact your dealer salesperson or the factory to receive a special quoted price.



IC-200-C



IC-20



IC-80



IC-35

bmc **BRODERSON**[®]
Manufacturing Corp.

P.O. Box 14770, Lenexa, KS 66285-4770
(913) 888-0606 • FAX (913) 541-0890
• FAX (913) 888-8431 (Sales)